

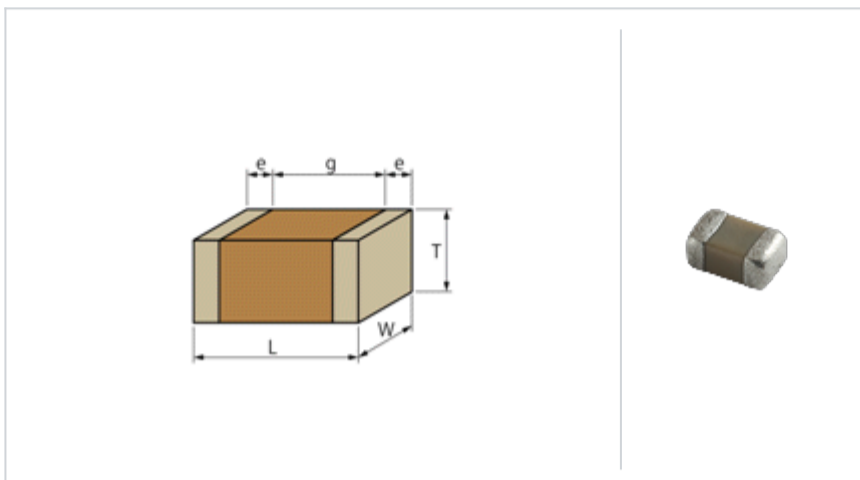
GA242QR7E2102MW01L

" # " indicates a package specification code.



< List of part numbers with package codes >
GA242QR7E2102MW01L

Shape



L size	4.5 ± 0.3mm
W size	2.0 ± 0.2mm
T size	1.5 +0/-0.3mm
External terminal width e	0.3mm min.
Distance between external terminals g (Min.)	2.5mm
Size code in mm(inch)	4520 (1808)

Specifications

Capacitance	1000pF ± 20%
Rated voltage	250Vac(r.m.s.)
Temperature characteristics (complied standard)	X7R(EIA)
Capacitance change rate	± 15%
Temperature range of temperature characteristics	-55 to 125
Operating temperature range	-55 to 125

Notes

Based on the Electrical Appliance and Material Safety Law of Japan

References

Packaging	Specifications	Minimum quantity
	180mm Embossed taping	2000

⚠ Attention

- 1.This datasheet is downloaded from the website of Murata Manufacturing Co., Ltd. Therefore, it ' s specifications are subject to change or our products in it may be discontinued without advance notice. Please check with our sales representatives or product engineers before ordering.
- 2.This datasheet has only typical specifications because there is no space for detailed specifications. Therefore, please review our product specifications or consult the approval sheet for product specifications before ordering.

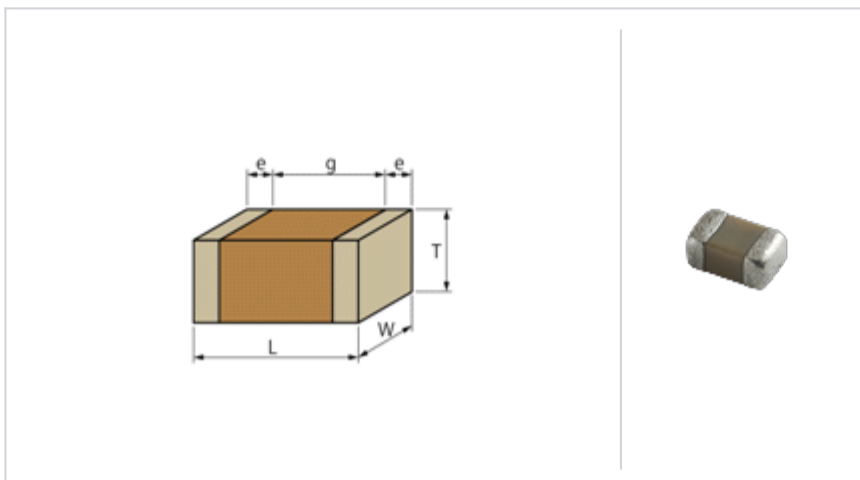
GA243DR7E2473MW01L

" # " indicates a package specification code.



< List of part numbers with package codes >
GA243DR7E2473MW01L

Shape



L size	4.5 ± 0.4mm
W size	3.2 ± 0.3mm
T size	2.0 +0/-0.3mm
External terminal width e	0.3mm min.
Distance between external terminals g (Min.)	2.5mm
Size code in mm(inch)	4532 (1812)

Specifications

Capacitance	47000pF ± 20%
Rated voltage	250Vac(r.m.s.)
Temperature characteristics (complied standard)	X7R(EIA)
Capacitance change rate	± 15%
Temperature range of temperature characteristics	-55 to 125
Operating temperature range	-55 to 125

Notes

Based on the Electrical Appliance and Material Safety Law of Japan

References

Packaging	Specifications	Minimum quantity
	180mm Embossed taping	1000

⚠ Attention

- 1.This datasheet is downloaded from the website of Murata Manufacturing Co., Ltd. Therefore, it ' s specifications are subject to change or our products in it may be discontinued without advance notice. Please check with our sales representatives or product engineers before ordering.
- 2.This datasheet has only typical specifications because there is no space for detailed specifications. Therefore, please review our product specifications or consult the approval sheet for product specifications before ordering.

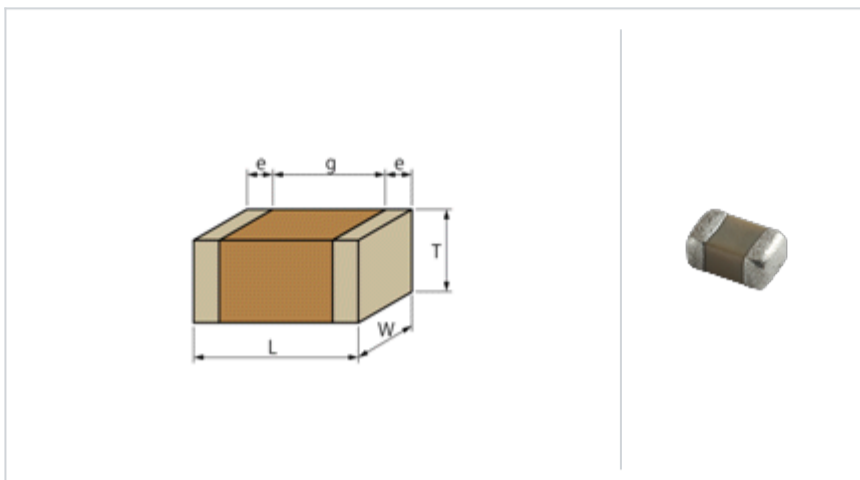
GA243QR7E2103MW01L

" # " indicates a package specification code.



< List of part numbers with package codes >
GA243QR7E2103MW01L

Shape



L size	4.5 ± 0.4mm
W size	3.2 ± 0.3mm
T size	1.5 +0/-0.3mm
External terminal width e	0.3mm min.
Distance between external terminals g (Min.)	2.5mm
Size code in mm(inch)	4532 (1812)

Specifications

Capacitance	10000pF ± 20%
Rated voltage	250Vac(r.m.s.)
Temperature characteristics (complied standard)	X7R(EIA)
Capacitance change rate	± 15%
Temperature range of temperature characteristics	-55 to 125
Operating temperature range	-55 to 125

Notes

Based on the Electrical Appliance and Material Safety Law of Japan

References

Packaging	Specifications	Minimum quantity
	180mm Embossed taping	1000

⚠ Attention

- 1.This datasheet is downloaded from the website of Murata Manufacturing Co., Ltd. Therefore, it ' s specifications are subject to change or our products in it may be discontinued without advance notice. Please check with our sales representatives or product engineers before ordering.
- 2.This datasheet has only typical specifications because there is no space for detailed specifications. Therefore, please review our product specifications or consult the approval sheet for product specifications before ordering.

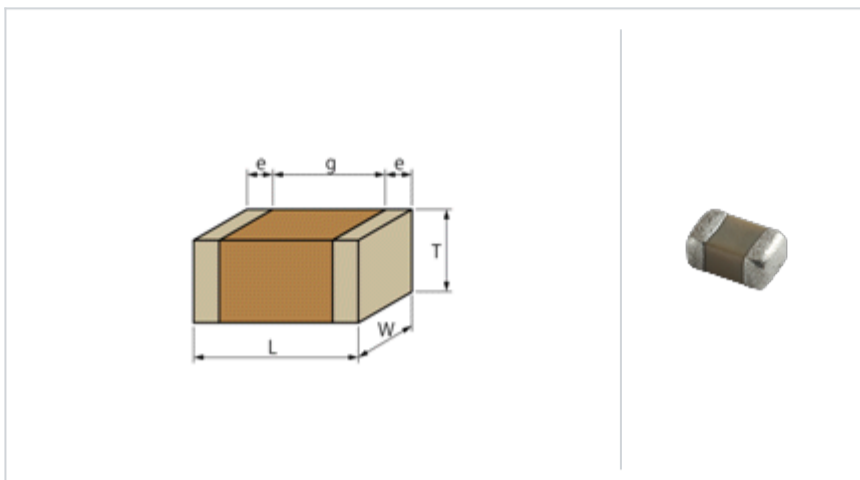
GA243QR7E2222MW01L

" # " indicates a package specification code.



< List of part numbers with package codes >
GA243QR7E2222MW01L

Shape



L size	4.5 ± 0.4mm
W size	3.2 ± 0.3mm
T size	1.5 +0/-0.3mm
External terminal width e	0.3mm min.
Distance between external terminals g (Min.)	2.5mm
Size code in mm(inch)	4532 (1812)

Specifications

Capacitance	2200pF ± 20%
Rated voltage	250Vac(r.m.s.)
Temperature characteristics (complied standard)	X7R(EIA)
Capacitance change rate	± 15%
Temperature range of temperature characteristics	-55 to 125
Operating temperature range	-55 to 125

Notes

Based on the Electrical Appliance and Material Safety Law of Japan

References

Packaging	Specifications	Minimum quantity
	180mm Embossed taping	1000

⚠ Attention

- 1.This datasheet is downloaded from the website of Murata Manufacturing Co., Ltd. Therefore, it ' s specifications are subject to change or our products in it may be discontinued without advance notice. Please check with our sales representatives or product engineers before ordering.
- 2.This datasheet has only typical specifications because there is no space for detailed specifications. Therefore, please review our product specifications or consult the approval sheet for product specifications before ordering.

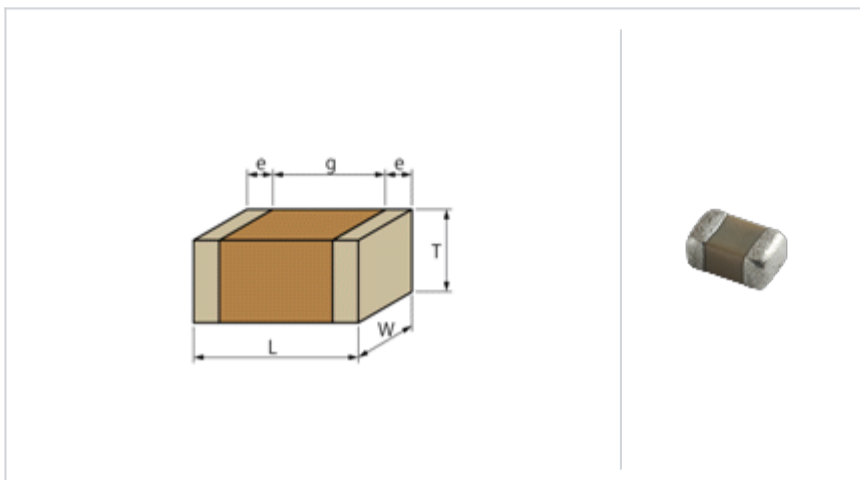
GA255DR7E2104MW01L

" # " indicates a package specification code.



< List of part numbers with package codes >
GA255DR7E2104MW01L

Shape



L size	5.7 ± 0.4mm
W size	5.0 ± 0.4mm
T size	2.0 +0/-0.3mm
External terminal width e	0.3mm min.
Distance between external terminals g (Min.)	3.2mm
Size code in mm(inch)	5750 (2220)

Specifications

Capacitance	0.10μF ± 20%
Rated voltage	250Vac(r.m.s.)
Temperature characteristics (complied standard)	X7R(EIA)
Capacitance change rate	± 15%
Temperature range of temperature characteristics	-55 to 125
Operating temperature range	-55 to 125

Notes

Based on the Electrical Appliance and Material Safety Law of Japan

References

Packaging	Specifications	Minimum quantity
	180mm Embossed taping	1000

⚠ Attention

- 1.This datasheet is downloaded from the website of Murata Manufacturing Co., Ltd. Therefore, it ' s specifications are subject to change or our products in it may be discontinued without advance notice. Please check with our sales representatives or product engineers before ordering.
- 2.This datasheet has only typical specifications because there is no space for detailed specifications. Therefore, please review our product specifications or consult the approval sheet for product specifications before ordering.

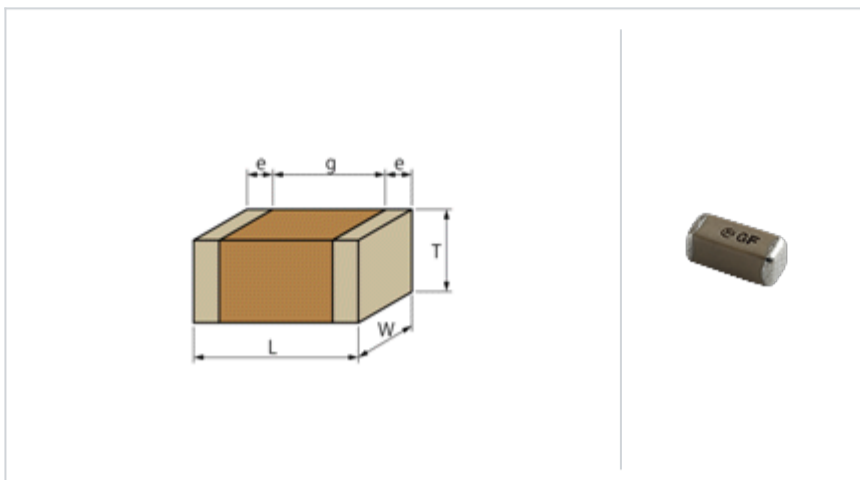
GA352QR7GF102KW01L

" # " indicates a package specification code.



< List of part numbers with package codes >
GA352QR7GF102KW01L

Shape



L size	5.7 ± 0.4mm
W size	2.8 ± 0.3mm
T size	1.5 +0/-0.3mm
External terminal width e	0.3mm min.
Distance between external terminals g (Min.)	4.0mm
Size code in mm(inch)	5728 (2211)

Specifications

Capacitance	1000pF ± 10%
Rated voltage	250Vac(r.m.s.)
Temperature characteristics (complied standard)	X7R(EIA)
Capacitance change rate	± 15%
Temperature range of temperature characteristics	-55 to 125
Operating temperature range	-55 to 125

Notes

X1/Y2 Class Certified Products

References

Packaging	Specifications	Minimum quantity
	180mm Embossed taping	1000

⚠ Attention

- 1.This datasheet is downloaded from the website of Murata Manufacturing Co., Ltd. Therefore, it ' s specifications are subject to change or our products in it may be discontinued without advance notice. Please check with our sales representatives or product engineers before ordering.
- 2.This datasheet has only typical specifications because there is no space for detailed specifications. Therefore, please review our product specifications or consult the approval sheet for product specifications before ordering.

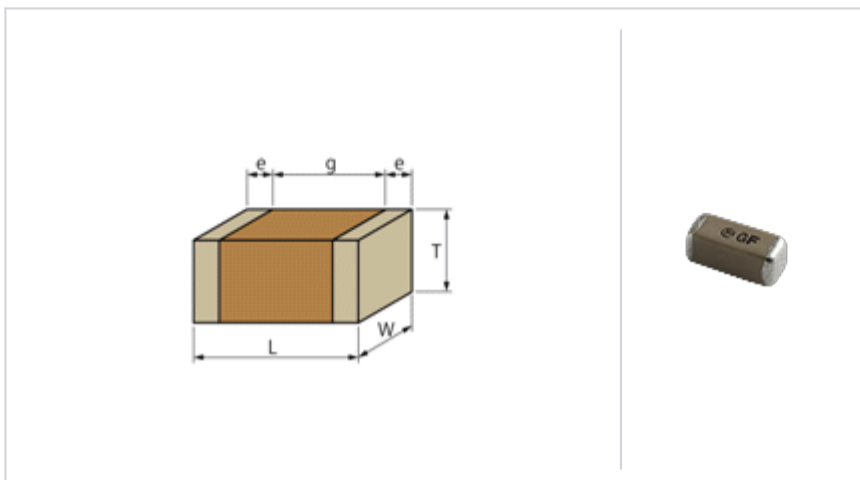
GA352QR7GF471KW01L

" # " indicates a package specification code.



< List of part numbers with package codes >
GA352QR7GF471KW01L

Shape



L size	5.7 ± 0.4mm
W size	2.8 ± 0.3mm
T size	1.5 +0/-0.3mm
External terminal width e	0.3mm min.
Distance between external terminals g (Min.)	4.0mm
Size code in mm(inch)	5728 (2211)

Specifications

Capacitance	470pF ± 10%
Rated voltage	250Vac(r.m.s.)
Temperature characteristics (complied standard)	X7R(EIA)
Capacitance change rate	± 15%
Temperature range of temperature characteristics	-55 to 125
Operating temperature range	-55 to 125

Notes

X1/Y2 Class Certified Products

References

Packaging	Specifications	Minimum quantity
	180mm Embossed taping	1000

⚠ Attention

- 1.This datasheet is downloaded from the website of Murata Manufacturing Co., Ltd. Therefore, it ' s specifications are subject to change or our products in it may be discontinued without advance notice. Please check with our sales representatives or product engineers before ordering.
- 2.This datasheet has only typical specifications because there is no space for detailed specifications. Therefore, please review our product specifications or consult the approval sheet for product specifications before ordering.

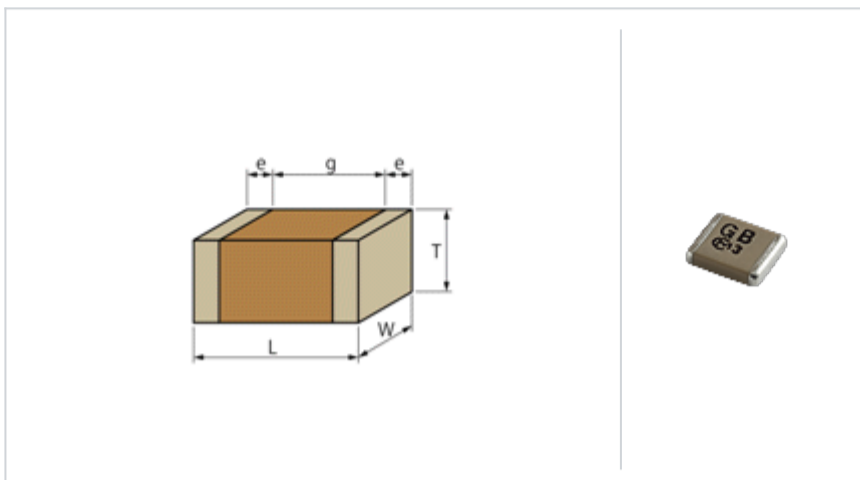
GA355DR7GB223KY02L

" # " indicates a package specification code.

Available  

< List of part numbers with package codes >
GA355DR7GB223KY02L

Shape



L size	5.7 ± 0.4mm
W size	5.0 ± 0.4mm
T size	2.0 ± 0.3mm
External terminal width e	0.3mm min.
Distance between external terminals g (Min.)	4.0mm
Size code in mm(inch)	5750 (2220)

Specifications

Capacitance	22000pF ± 10%
Rated voltage	250Vac(r.m.s.)
Temperature characteristics (complied standard)	X7R(EIA)
Capacitance change rate	± 15%
Temperature range of temperature characteristics	-55 to 125
Operating temperature range	-55 to 125

Notes

X2 Class Certified Products

References

Packaging	Specifications	Minimum quantity
	180mm Embossed taping	1000

Attention

- 1.This datasheet is downloaded from the website of Murata Manufacturing Co., Ltd. Therefore, it ' s specifications are subject to change or our products in it may be discontinued without advance notice. Please check with our sales representatives or product engineers before ordering.
- 2.This datasheet has only typical specifications because there is no space for detailed specifications. Therefore, please review our product specifications or consult the approval sheet for product specifications before ordering.

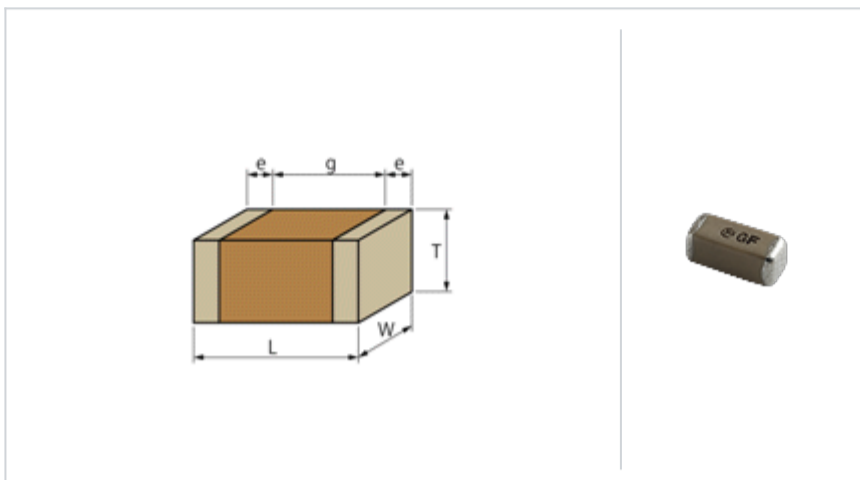
GA355DR7GF472KW01L

" # " indicates a package specification code.



< List of part numbers with package codes >
GA355DR7GF472KW01L

Shape



L size	5.7 ± 0.4mm
W size	5.0 ± 0.4mm
T size	2.0 +0/-0.3mm
External terminal width e	0.3mm min.
Distance between external terminals g (Min.)	4.0mm
Size code in mm(inch)	5750 (2220)

Specifications

Capacitance	4700pF ± 10%
Rated voltage	250Vac(r.m.s.)
Temperature characteristics (complied standard)	X7R(EIA)
Capacitance change rate	± 15%
Temperature range of temperature characteristics	-55 to 125
Operating temperature range	-55 to 125

Notes

X1/Y2 Class Certified Products

References

Packaging	Specifications	Minimum quantity
	180mm Embossed taping	1000

⚠ Attention

- 1.This datasheet is downloaded from the website of Murata Manufacturing Co., Ltd. Therefore, it ' s specifications are subject to change or our products in it may be discontinued without advance notice. Please check with our sales representatives or product engineers before ordering.
- 2.This datasheet has only typical specifications because there is no space for detailed specifications. Therefore, please review our product specifications or consult the approval sheet for product specifications before ordering.

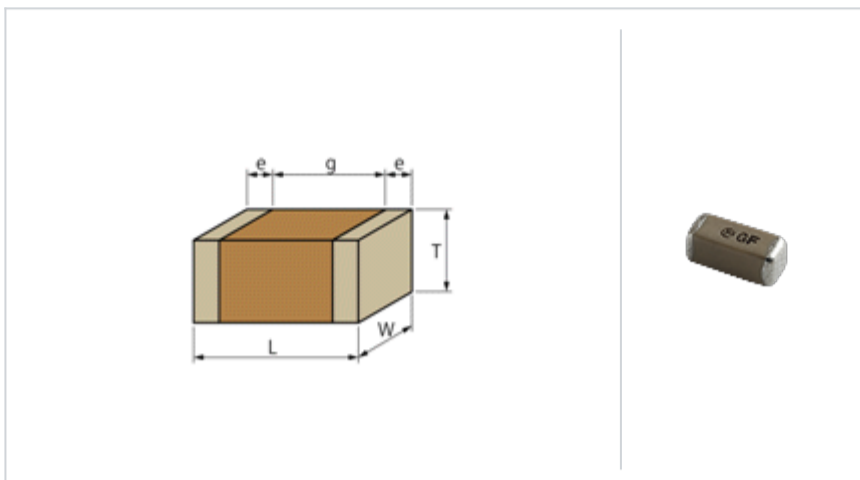
GA355QR7GF222KW01L

" # " indicates a package specification code.



< List of part numbers with package codes >
GA355QR7GF222KW01L

Shape



L size	5.7 ± 0.4mm
W size	5.0 ± 0.4mm
T size	1.5 +0/-0.3mm
External terminal width e	0.3mm min.
Distance between external terminals g (Min.)	4.0mm
Size code in mm(inch)	5750 (2220)

Specifications

Capacitance	2200pF ± 10%
Rated voltage	250Vac(r.m.s.)
Temperature characteristics (complied standard)	X7R(EIA)
Capacitance change rate	± 15%
Temperature range of temperature characteristics	-55 to 125
Operating temperature range	-55 to 125

Notes

X1/Y2 Class Certified Products

References

Packaging	Specifications	Minimum quantity
	180mm Embossed taping	1000

⚠ Attention

- 1.This datasheet is downloaded from the website of Murata Manufacturing Co., Ltd. Therefore, it ' s specifications are subject to change or our products in it may be discontinued without advance notice. Please check with our sales representatives or product engineers before ordering.
- 2.This datasheet has only typical specifications because there is no space for detailed specifications. Therefore, please review our product specifications or consult the approval sheet for product specifications before ordering.

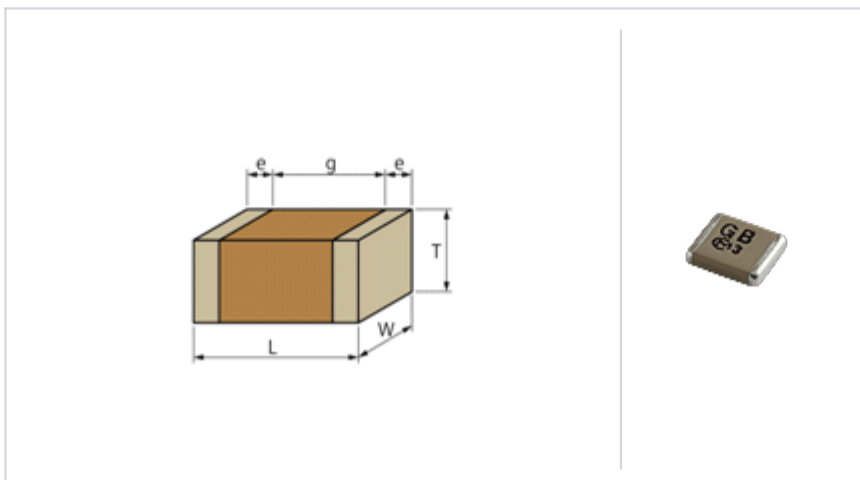
GA355XR7GB333KY06L

" # " indicates a package specification code.

Available  

< List of part numbers with package codes >
GA355XR7GB333KY06L

Shape



L size	5.7 ± 0.4mm
W size	5.0 ± 0.4mm
T size	2.7 ± 0.3mm
External terminal width e	0.3mm min.
Distance between external terminals g (Min.)	4.0mm
Size code in mm(inch)	5750 (2220)

Specifications

Capacitance	33000pF ± 10%
Rated voltage	250Vac(r.m.s.)
Temperature characteristics (complied standard)	X7R(EIA)
Capacitance change rate	± 15%
Temperature range of temperature characteristics	-55 to 125
Operating temperature range	-55 to 125

Notes

X2 Class Certified Products

References

Packaging	Specifications	Minimum quantity
	180mm Embossed taping	500

Attention

- 1.This datasheet is downloaded from the website of Murata Manufacturing Co., Ltd. Therefore, it ' s specifications are subject to change or our products in it may be discontinued without advance notice. Please check with our sales representatives or product engineers before ordering.
- 2.This datasheet has only typical specifications because there is no space for detailed specifications. Therefore, please review our product specifications or consult the approval sheet for product specifications before ordering.